

ELEKSEC

Company: Zhongshan City EOS Secure Products Co., Ltd.
Email: winny@eos-secure.com
Mobile: +86 13420436003
Add: No.29 Ronghua South Road, Xiaolan Town,
Zhongshan City 528415, Guangdong, China



 ELEKSEC



2026 CATALOGUE

RETROFIT SMART LOCK
MANUFACTURER

[HTTPS://WWW.ELEKSEC.COM/](https://www.eleksec.com/)



1

■ ABOUT ELEKSEC -04

2

■ WHY ELEKSEC -05

- QUALITY CONTROL YOU CAN RELY ON
- ADVANCED MANUFACTURING CAPABILITIES
- ONE-STOP R&D SOLUTION
- SALES & MARKETING SUPPORT

3

■ TAILORED SOLUTIONS -15

- HOME SMART ACCESS
- VACATION RENTAL & HOSPITALITY
- COMMERCIAL & SME ACCESS

4

■ PATENTS & CERTIFICATIONS -21

5

■ CORE PRODUCT PORTFOLIO -23

- RETROFIT MOTORIZED SMART LOCK (D2)
- SMART LOCK CYLINDERS (D1 PLUS, D3)
- SMART CYLINDER PROTECTOR (EP1)
- SMART RIM LOCK (R1)
- ACCESSORIES
(KEYPAD, WI-FI GATEWAY, DOOR SENSORS)

CATALOG

ABOUT



10+

Years of Experience

6

Core R&D Engineers

10

QC Specialists

±0.01

mm CNC Precision

ELEKSEC is a professional retrofit smart lock manufacturer with over 10 years of experience in mechanical door hardware manufacturing. Our background in producing high-quality mortise locks and high-precision lock cylinders provides a solid mechanical foundation for developing high-end retrofit motorized smart lock solutions.

This long-term experience enables us to maintain higher standards in manufacturing processes, quality control, and supply chain integration -- especially for products that require long-term stability, precision, and reliability.

With a strong reputation within the industry, we have established close technical cooperation with leading smart lock platform providers such as Tuya and TTLock. Their continuous support allows us to accelerate product development cycles and deliver market-ready solutions more efficiently.

In parallel, we have also developed our own electronic locking system, demonstrating our long-term commitment and capabilities in embedded software and system-level R&D.



OEM / ODM

From concept to mass production



Platform-ready

Tuya & TTLock cooperation



Fast iteration

Accelerated development cycles



Global markets

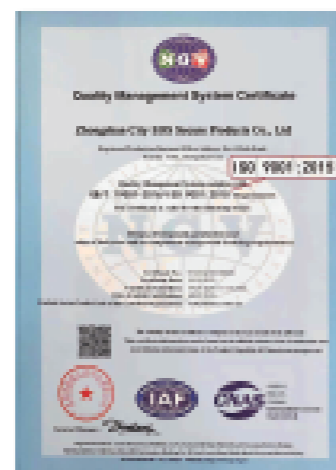
EU, ME, RU, AU, SA



10+

Years average industry experience

Internationally Recognized Certifications



ISO 9001:2015



ISO 14001:2015



From raw material intake to final packaging, every product passes through multiple checkpoints to guarantee consistency, precision, and reliability.



Durability Testing

Automated endurance testing machines simulate tens of thousands of lock/unlock cycles to validate mechanical lifespan and motor reliability.



Aging Testing

Extended aging tests stress electronic components and assemblies under continuous operation to identify potential early-failure risks.

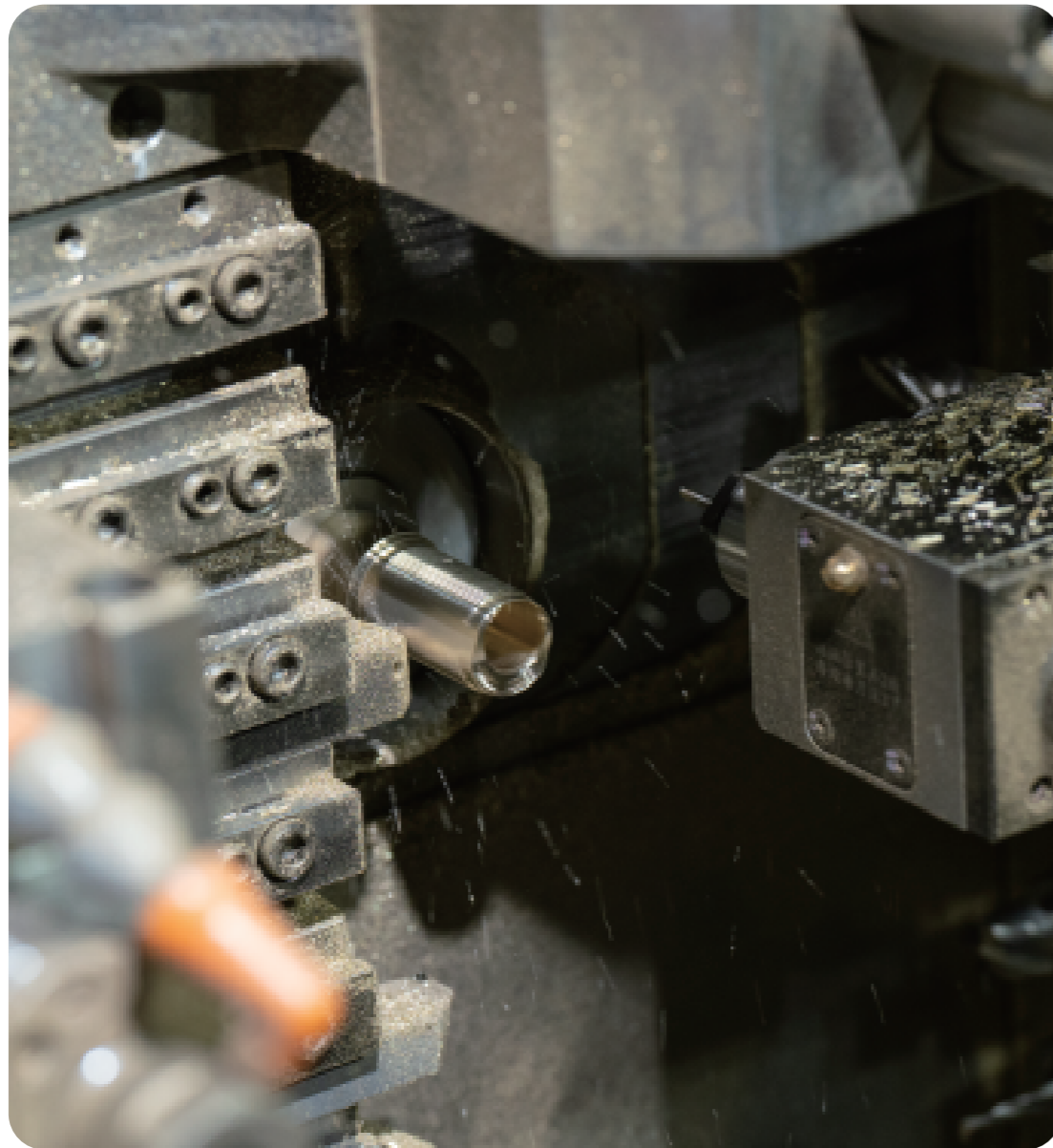


Temperature Testing

High and low temperature chambers test product performance across extreme climate conditions, ensuring reliability in diverse global markets.

Advanced Manufacturing Capabilities

Industry-leading equipment and processes that deliver superior accuracy, consistency, and scalability -- from precision CNC machining to smartphone-grade surface finishing and high-reliability PCB production.



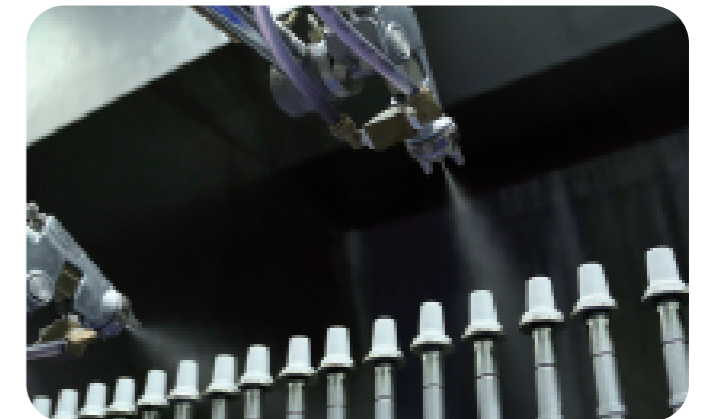
- **Tsugami Swiss-type CNC machines (6-axis, 5-axis, 3-axis) with ± 0.01 mm precision**
- **Fully automated multi-axis CNC machining centers**

Smartphone-industry-level plastic molding and surface finishing



3C-Grade Plastic Molding

Ultra-precise molds produce plastic components with exceptional surface smoothness, tight dimensional tolerances, and consistent color matching across production runs.



Premium Spray Coating

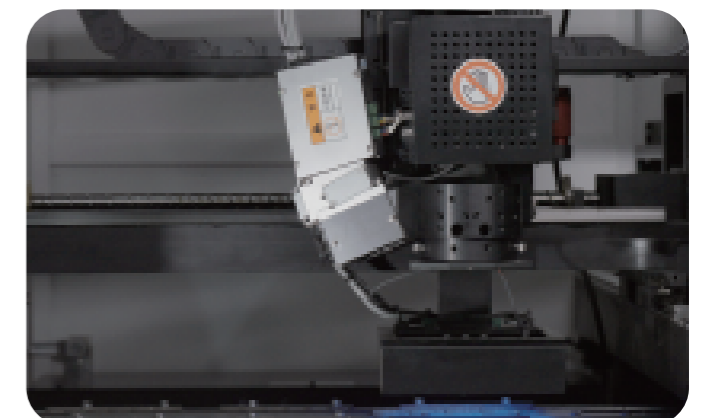
Industry-leading spray coating processes deliver ultra-fine, uniform surface textures that are scratch-resistant and aesthetically refined.

High-End PCB Manufacturing



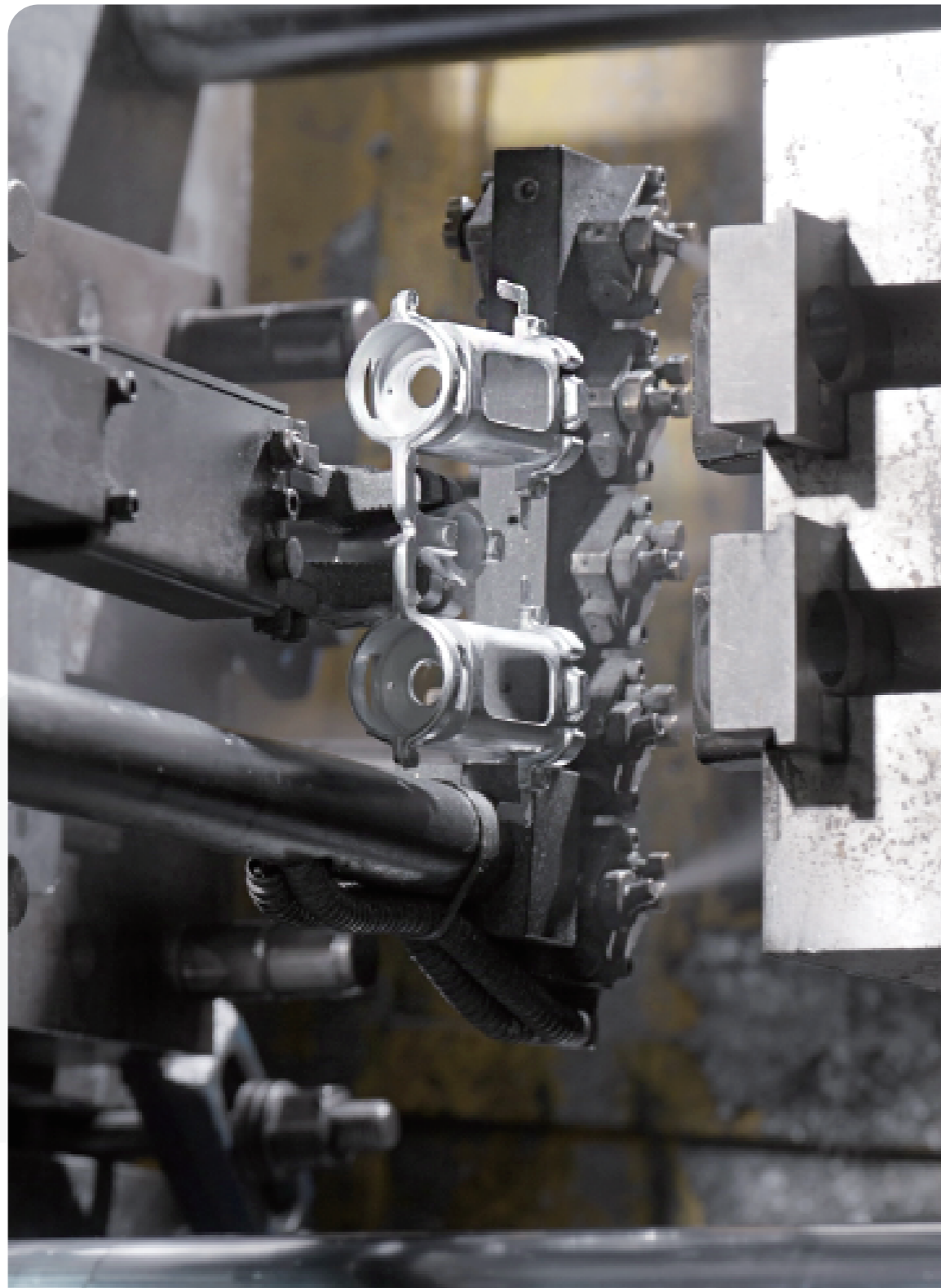
FUJI NXT SMT lines

High-speed, high-precision surface mount technology for consistent component placement and soldering quality.



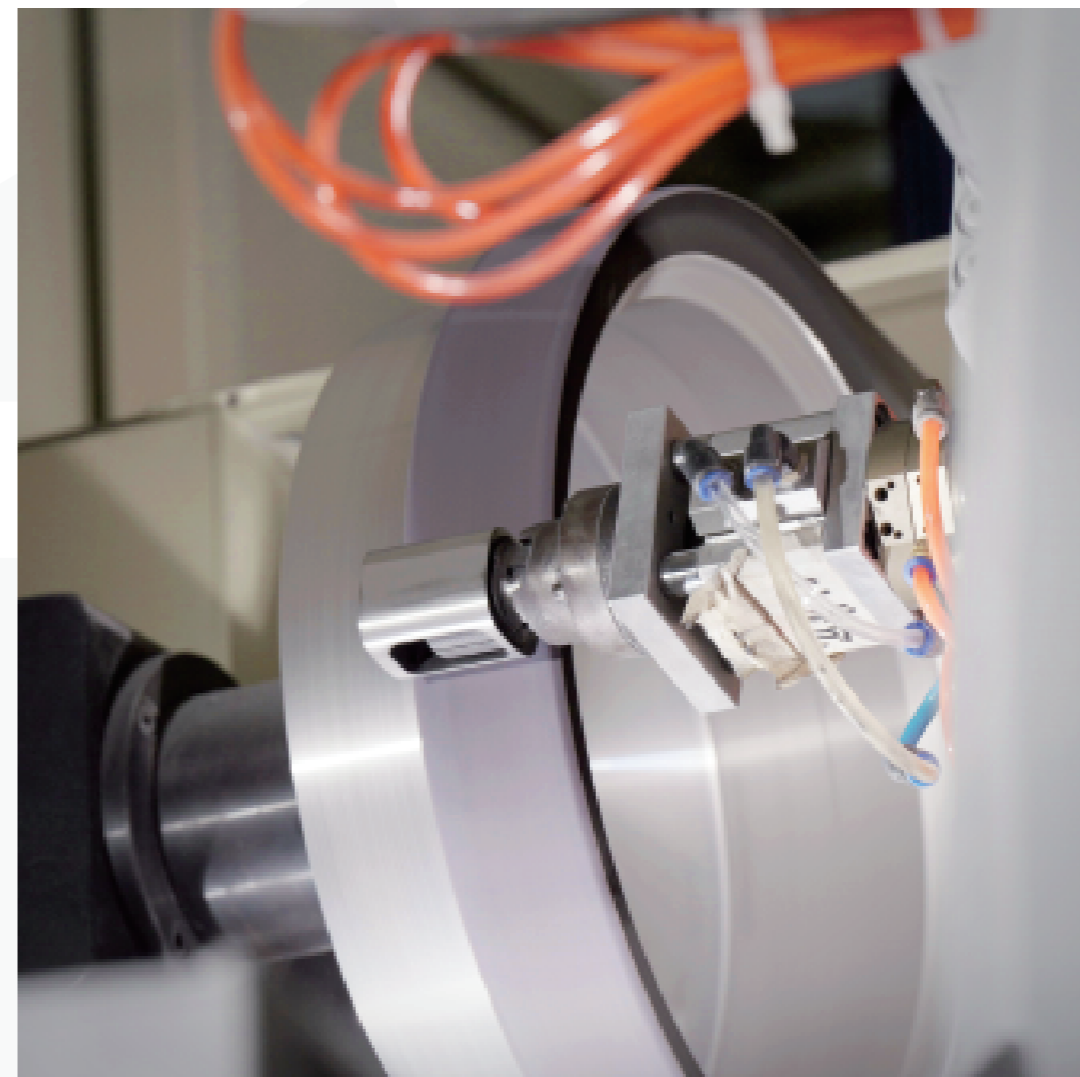
AOI inspection

High-precision automated optical detection systems catch defects invisible to the human eye, ensuring zero-defect output.



Automatic Die-Casting Machines

Automatic Robot Arm Polishing Machines



One-Stop R&D Solution

A Core Team Built for Precision

From initial concept to mass production -- we deliver end-to-end product development under one roof, reducing coordination risk and accelerating your time to market.



Full-cycle development from concept to mass production

A structured, transparent workflow that takes your product idea from the drawing board to the production line -- with engineering rigor at every stage.



Mechanical, electronic, and PCB design under one system

Circuit schematics and PCB layouts are developed in parallel with the mechanical design. Our electronic engineers handle motor drivers, power management, BLE/Wi-Fi modules, and sensor integration -- all validated



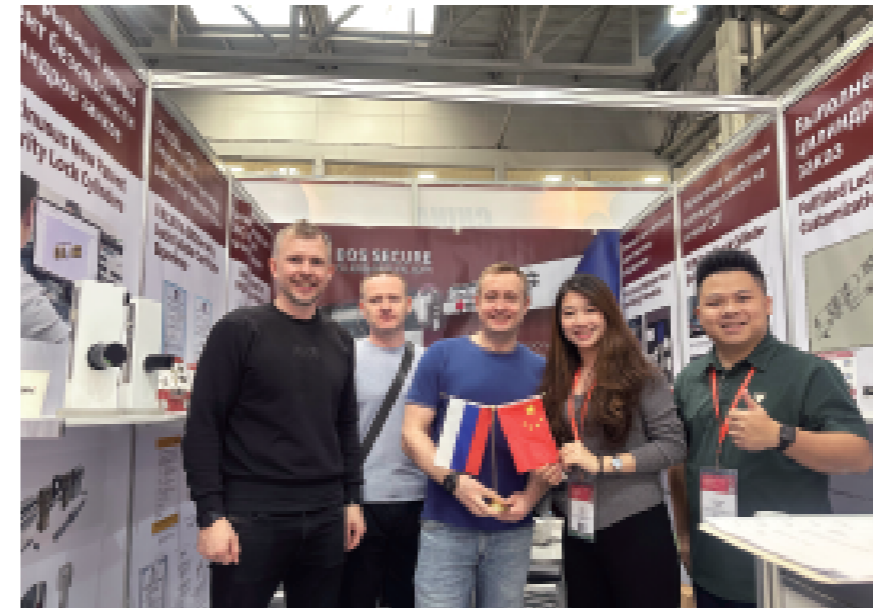
Prototyping, validation, and mass production support

Functional prototypes are assembled and put through rigorous testing -- including endurance cycling, temperature stress, aging tests, and real-door installation trials in our in-house testing laboratory. Issues are identified and resolved before production begins.



Core engineering team with over 10 years of industry experience

Our R&D team of 6 core engineers brings an average of over 10 years of hands-on experience in the smart lock and precision hardware industry. This depth of expertise means fewer design iterations, faster problem-solving, and products that work right from the first production run.



Built for Industry Professionals

SALES & MARKETING SUPPORT

- Professional international sales team with fast response
- Regular visits to target markets by sales, engineers & management
- Customized HD product photos, feature visuals & 3D animations
- OEM & ODM services with marketing material assistance





Tuya/TTLOCK BLE Unlock

Seamless Smart Home Ecosystem Integration

HOME SMART ACCESS



- Multiple Keyless Methods
- Electronic Key Sharing
- Smart Home Integration
- Event & Access Logs
- Easy Retrofit Installation
- Fire-Resistant & Safe



PMS+OTA

TTHotel Pro
Full-Link Sync
Max Efficiency

+DEVICES

All-in-One Dashboard:
Rooms, Orders,
Devices Connected

Trusted by Rental Operators Worldwide

VACATION RENTAL & HOS- PITALITY

- Self-Service Check-In & Check-Out
- PMS Integration
- Channel Manager Compatibility
- Retrofit Installation
- Access Logs & Audit Trail
- Multi-Role Permission Control

Key Advantages for Your Business

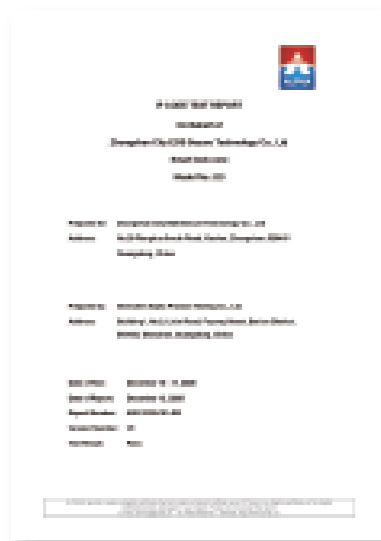
COMMERCIAL & SME ACCESSPITALITY

- Centralized Access Management
- Wide Cylinder Compatibility
- One System, Multiple Models
- On-Premise Deployment
- Zero Recurring License Fees
- Dual-Scenario Support



TTLock

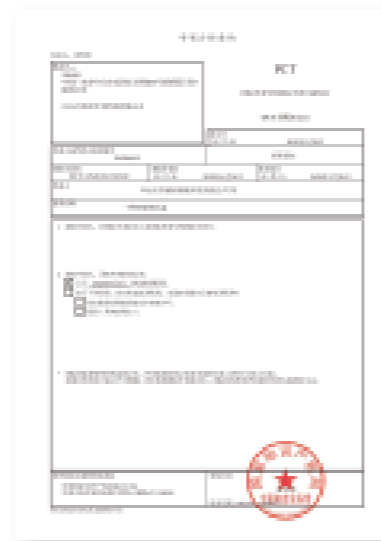




D3 IP68 certificate



Battery MSDS report



Smart Lock Cylinder Protector
PCT Pending



Retrofit Motorized Smart Lock Appearance Patent



CE certificate



RoHS certificate



FCC certificate



Smart Lock Cylinder Protector Appearance Patent

COMPANY PATENTS AND CERTIFICATES



Gateway UKCA certificate



D2 D3 Fire Approval Certification



Smart Lock Cylinder Appearance Patent

ELECTRONIC LOCKING SYSTEM

D2

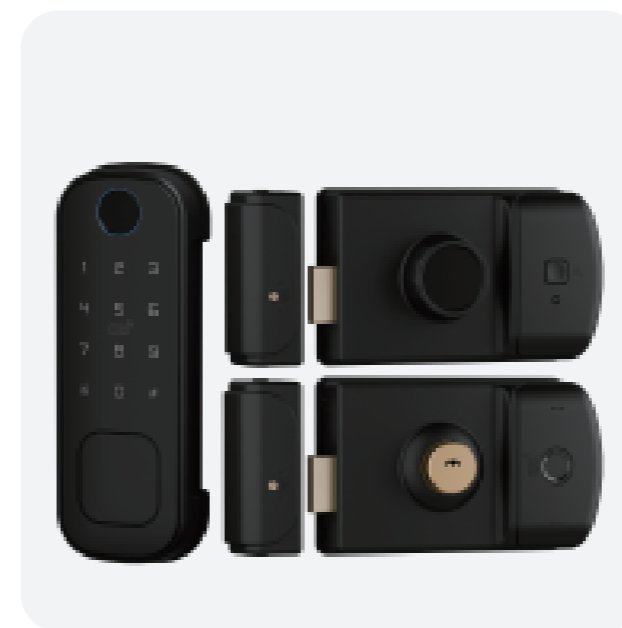
RETROFIT MOTORIZED
SMART LOCK



SMART LOCK CYLINDERS
(D1 PLUS, D3)



SMART CYLINDER PROTECTOR
(EPI)



SMART RIM LOCK
(R1)



ACCESSORIES
(KEYPAD, WI-FI GATEWAY,
DOOR SENSORS)





PATENT RETROFIT MOTORIZED SMART LOCKS

- Motor power is over 3Nm. Suitable for heavy mortise locks.
- TTLOCK apps remote unlock (through Gateway), BLE distance unlock, Mechanical key unlock.
- With Gateway and door sensor (extra purchase), you can check the real-time door and lock status.
- With IPX5 rating Keypad (extra purchase), you can unlock by passcodes, fingerprint and card.
- Access management for private, commercial, office, hotel and apartment. (Recommend TTLOCK Application)
- CE, FCC, RoHS, Fire rated 100Hrs certified.
- Working temperature: -25 degree to 70 degree.
- 3 pcs of CR123A-3V battery and 1-year battery life.
- OEM and ODM service available, including offering APP SDK file and API.



Converter:



TTLock



D2-M



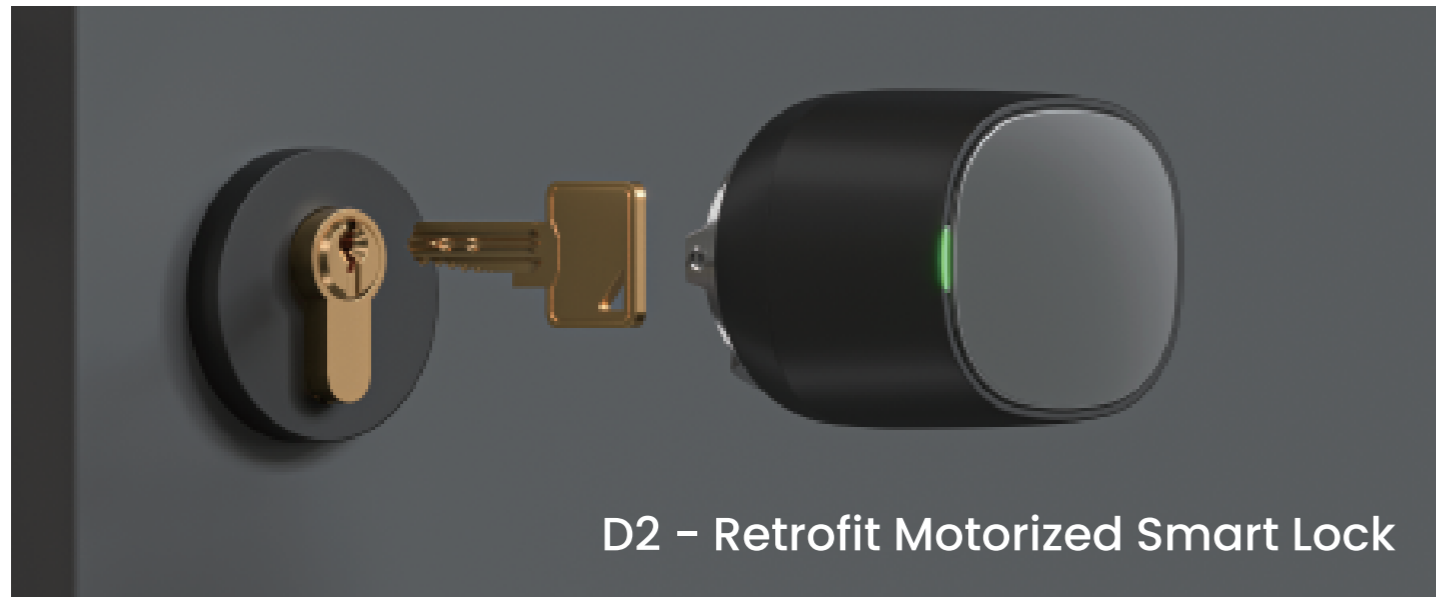
WiFi Gateway



Door Sensor

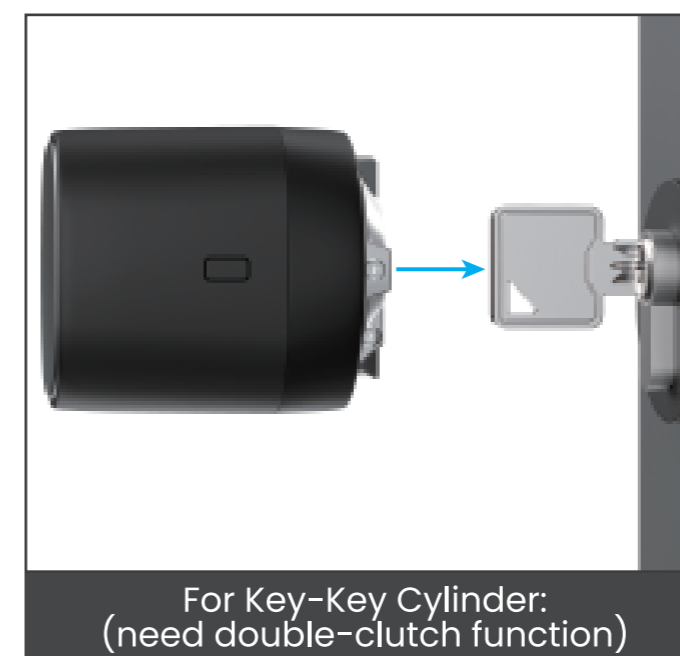
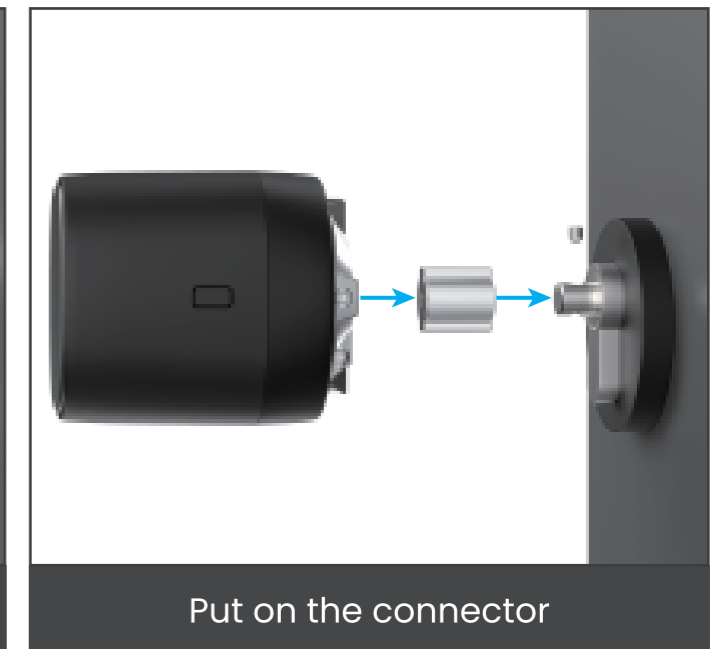
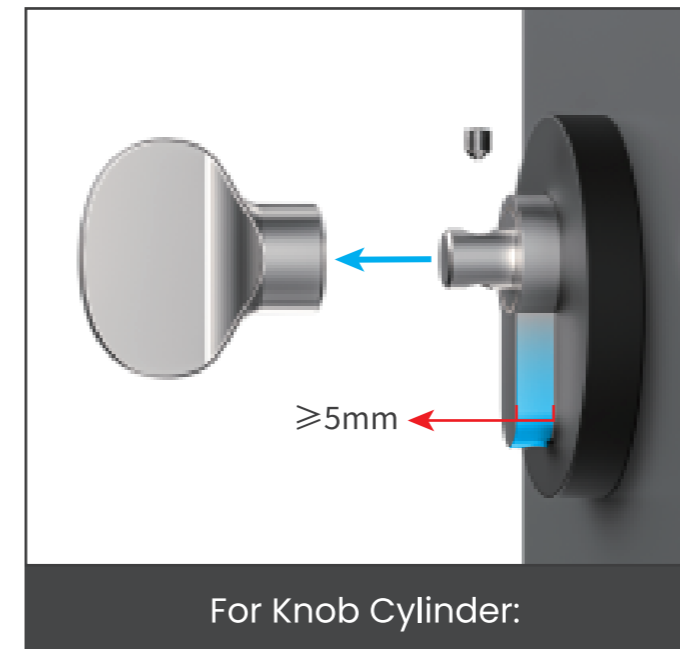
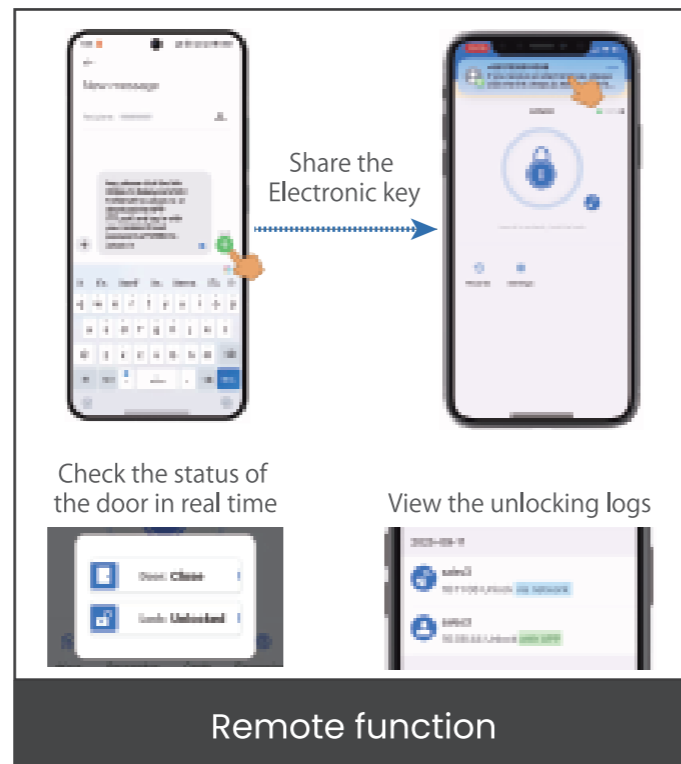


Keypad



Easy to install

No need to replace the lock cylinder !

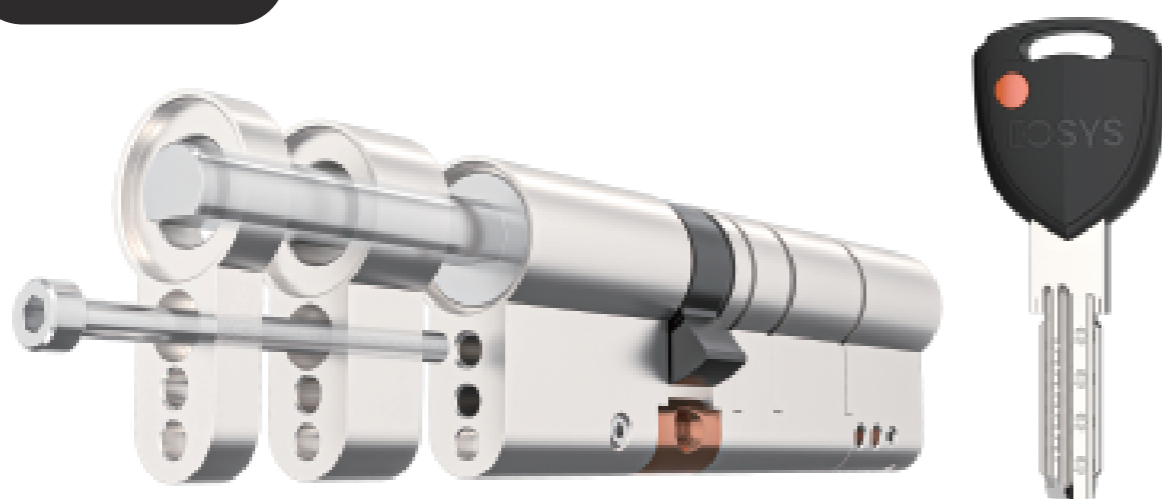


D2-M

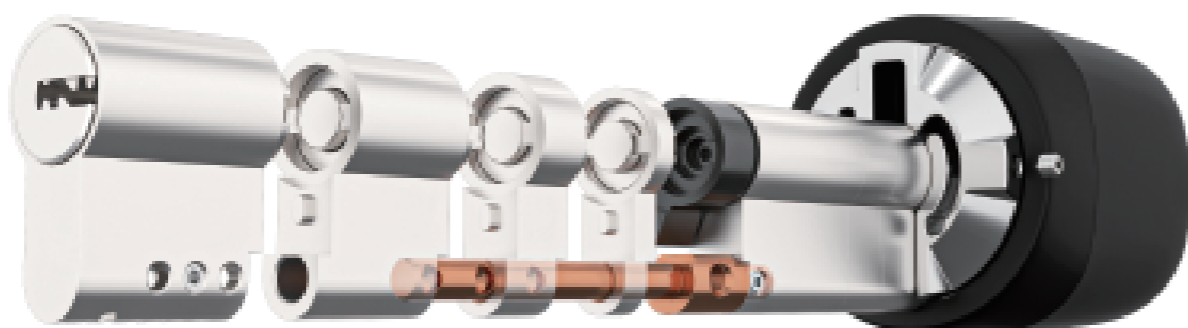


RETROFIT MOTORIZED SMART LOCKS MODULAR CYLINDER

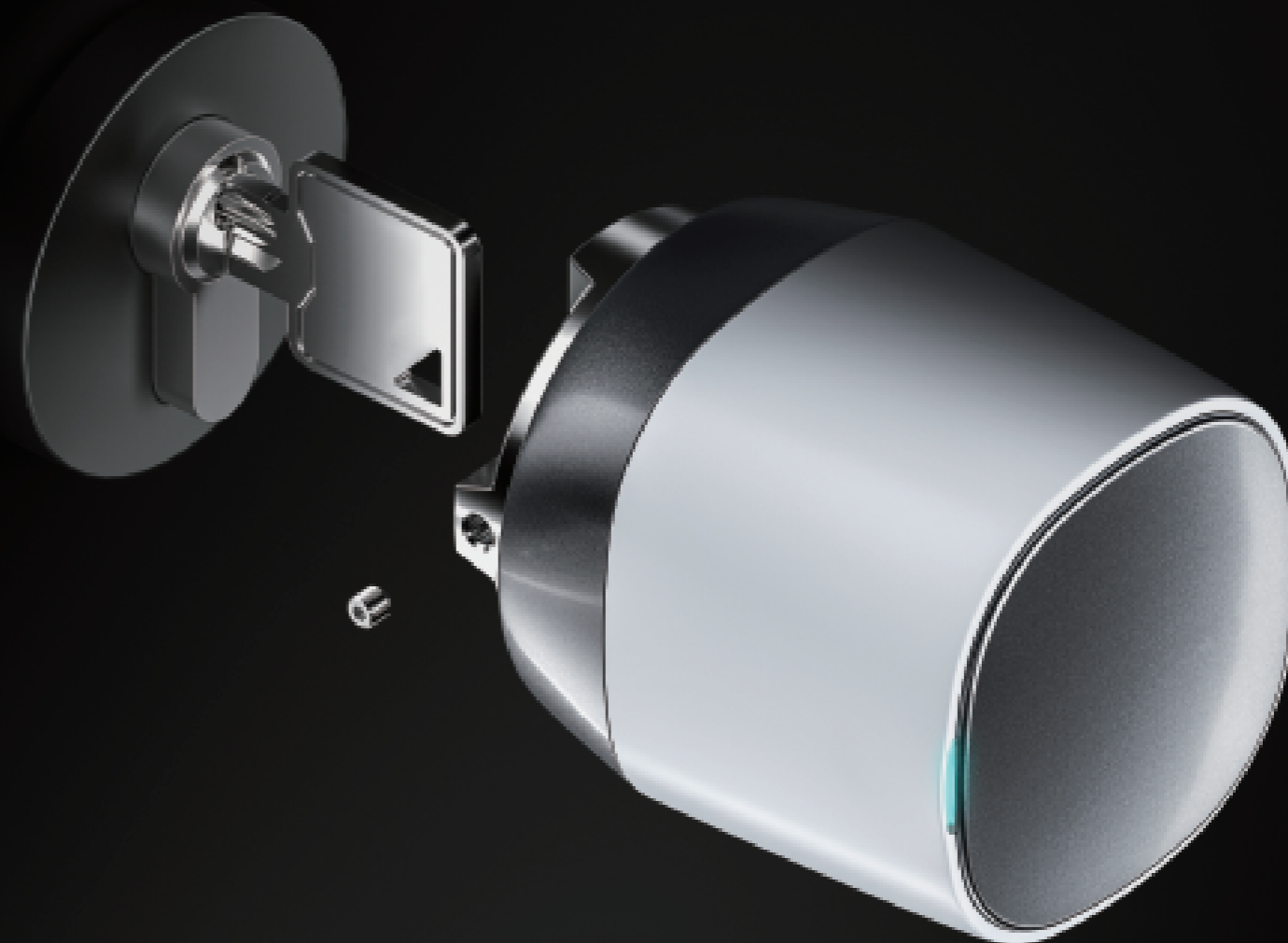
Retrofit side



Cylinder side
out door

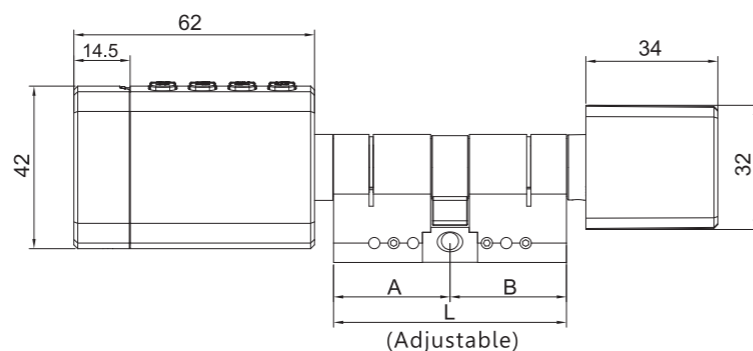


Retrofit side
in door



SMART LOCK CYLINDERS

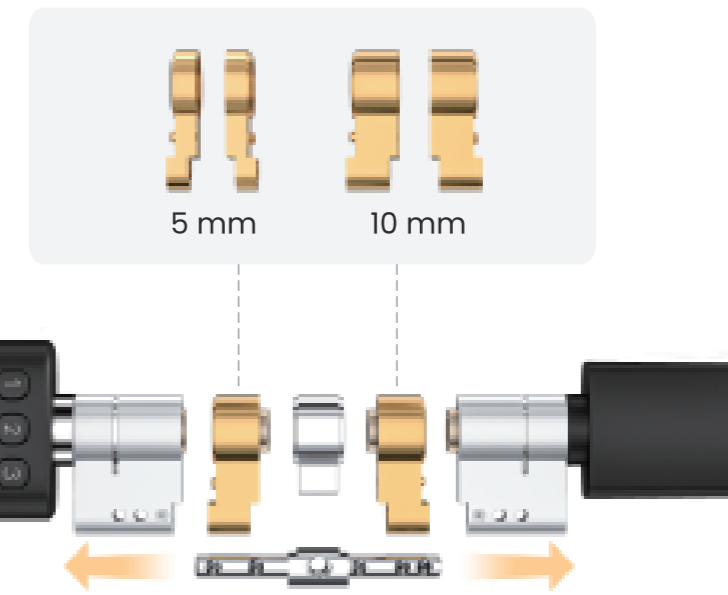
- Modular function: easily changes the cylinder length.
- TUYA/TTLOCK apps remote unlock (through Gateway), BLE distance unlock, Passwords unlock, RFID card/ NFC unlock, Mechanical key unlock.
- Pin tumbler mechanical back-up lock cylinder, able to fabricate the MK system.
- Card type: MIFARE Classic® S50 card, 13.56Mhz. ISO14443A.
- Access management for private, commercial, office, hotel and apartment. (Recommend TTLOCK Application)
- CE, FCC, RoHS, EN15684 certified.
- IP66 Waterproof. Working temperature: -25 degree to 70 degree.
- Back-up type-C power supply.
- 4 pcs of Number 7 (AAA) battery and 1-year battery life.
- OEM and ODM service available, including offering APP SDK file and API.



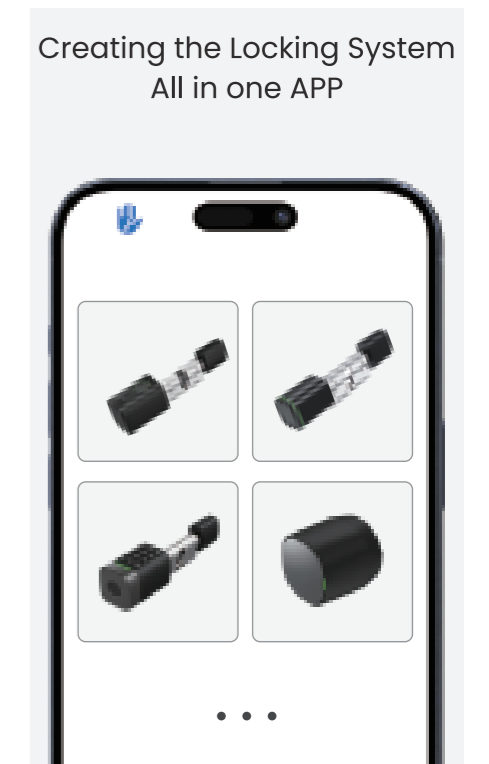
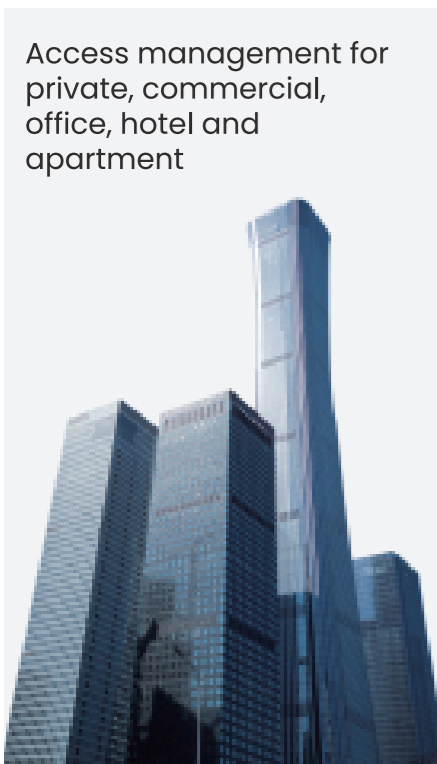


Emergency key

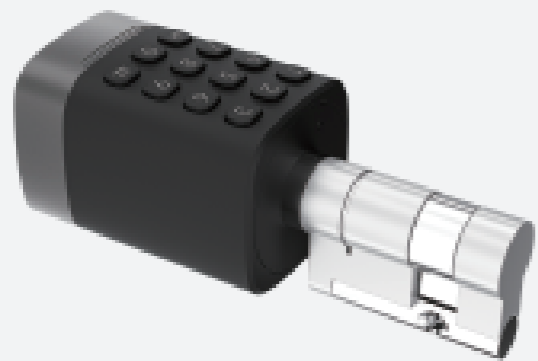
Mechanical Key
Able to create the MK/KA system



Easy Adjustable Length



OTHER TYPES OF D1 PLUS



Half Cylinder



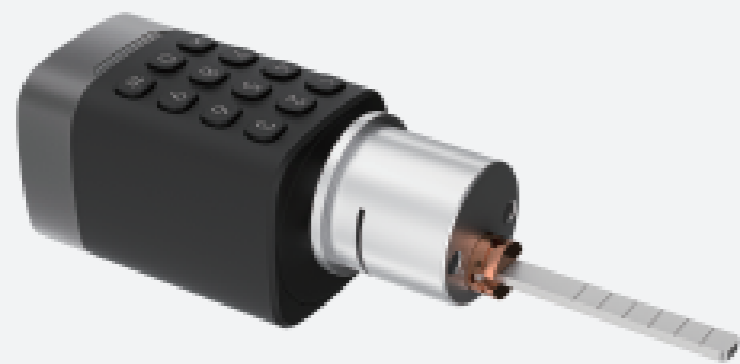
Padlock



Scandinavian Oval Cylinder



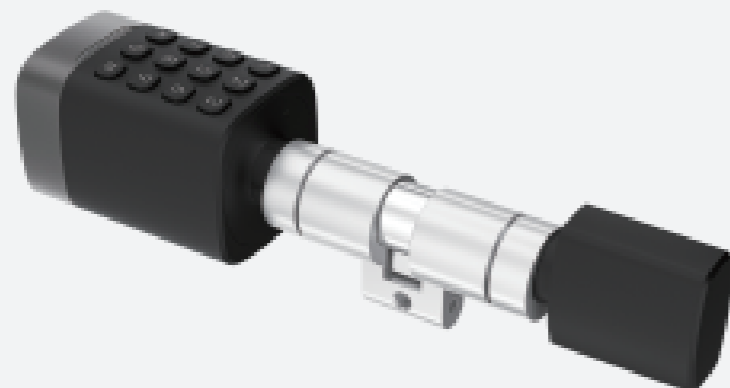
Australian Oval Cylinder



Rim Cylinder



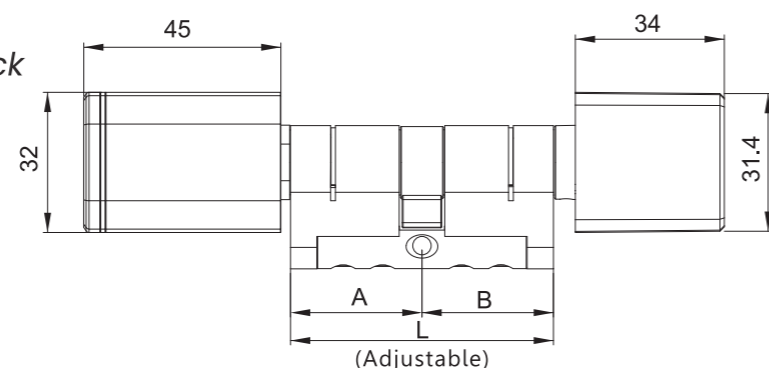
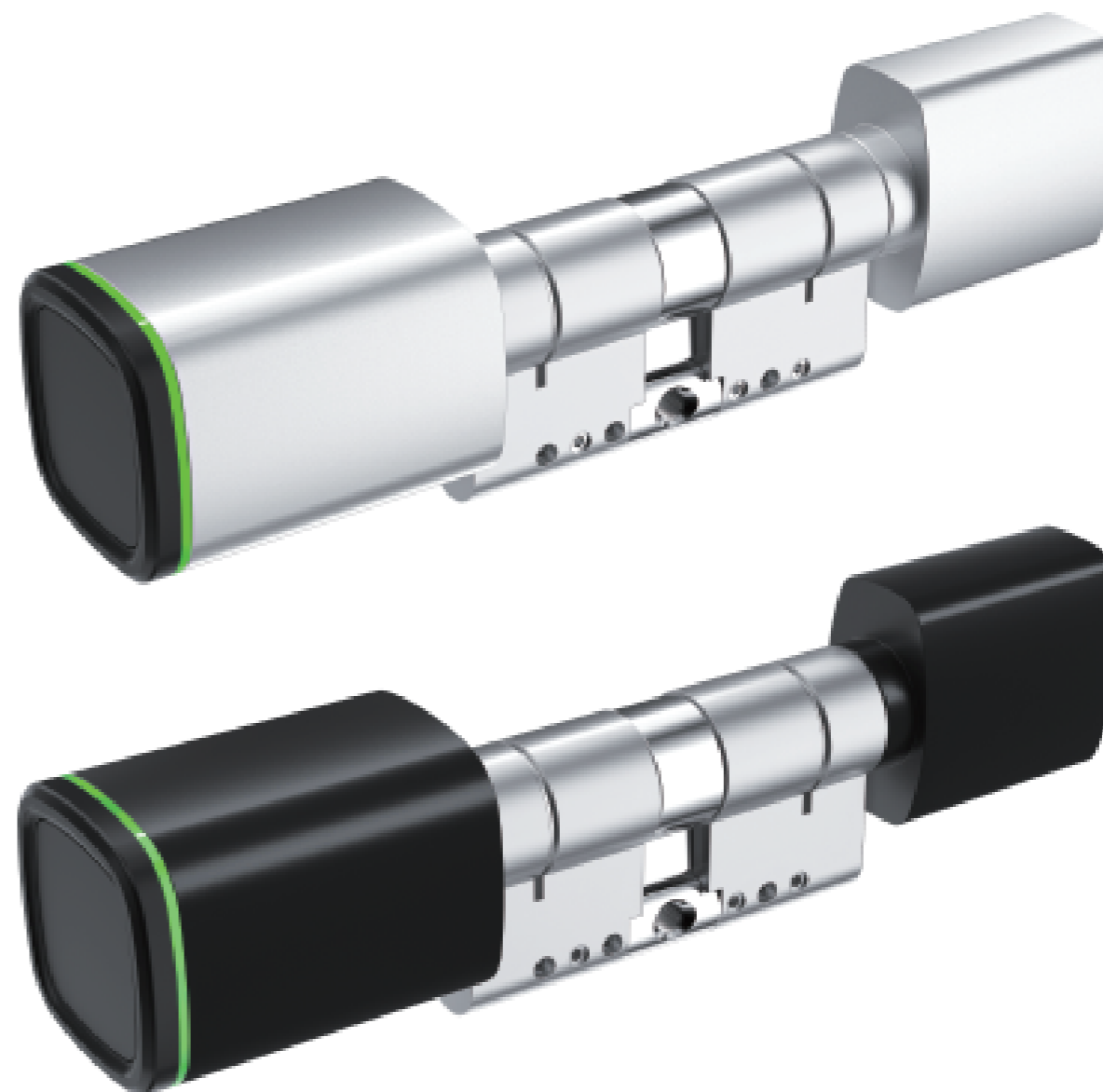
Mortise Cylinder

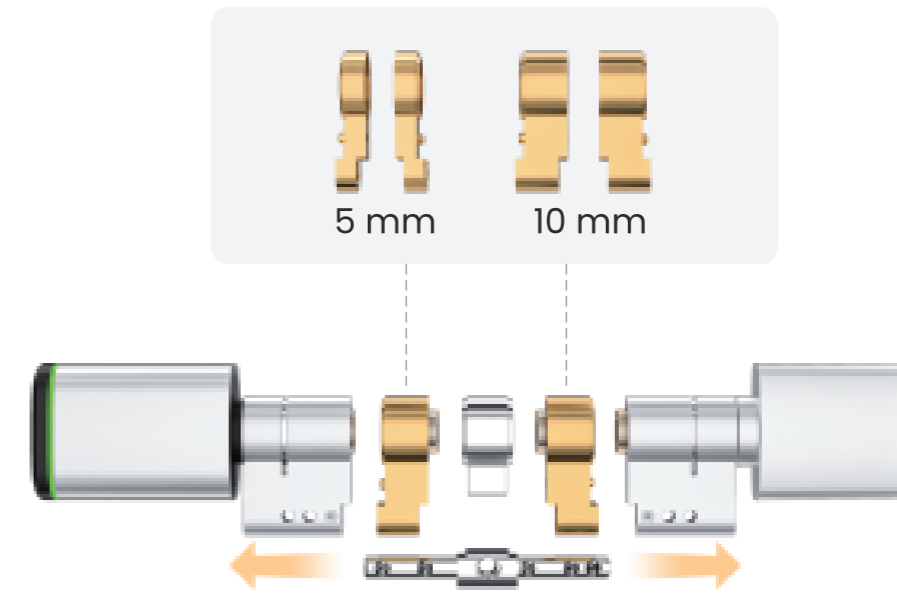


Swiss Profile Cylinder

SMART LOCK CYLINDERS

- Modular function: easily changes the cylinder length.
- TUYA/TTLOCK apps remote unlock (through Gateway), BLE distance unlock, RFID Card/ NFC unlock.
- Card type: MIFARE Classic® S50 card, 13.56Mhz. ISO14443A.
- Optional card type: MIFARE DESFire® card.
- Access management for private, commercial, office, hotel and apartment.
(Recommend TTLOCK Application)
- CE, FCC, RoHS, Fire rated 100Hrs, IP68 certified.
- IP68 Waterproof. Working temperature: -25 degree to 70 degree.
- 1 pcs of 3V CR14250 battery and 1-year battery life.
- Other Accessories:
Keypad: with fingerprint, and pin code.
Card encoder
- OEM and ODM service available, including offering APP SDK file and API.





Easy Adjustable Length

Access management for private, commercial, office, hotel and apartment.



RFID Card Unlock



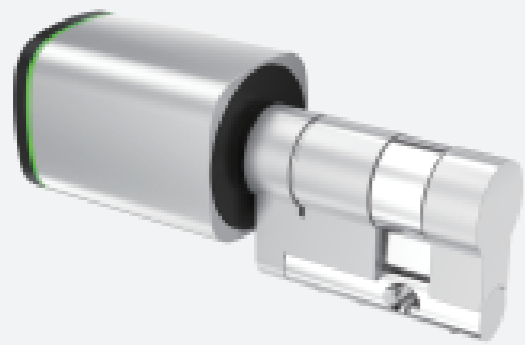
NFC Unlock



Tuya / TTLock Unlock



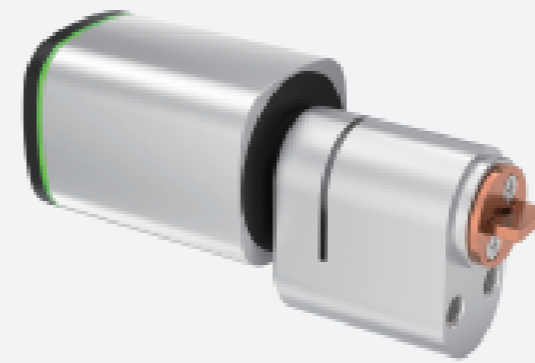
OTHER TYPES OF D3



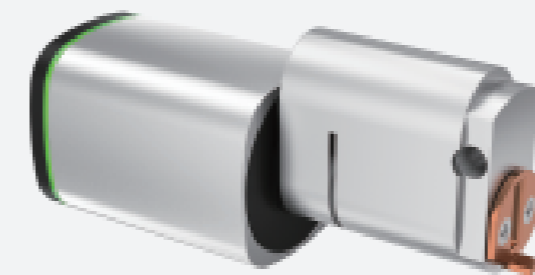
Half Cylinder



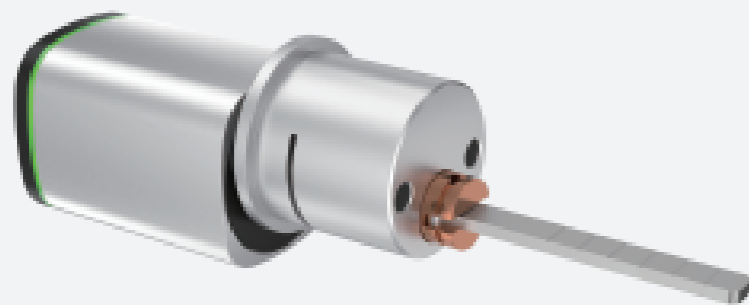
Padlock



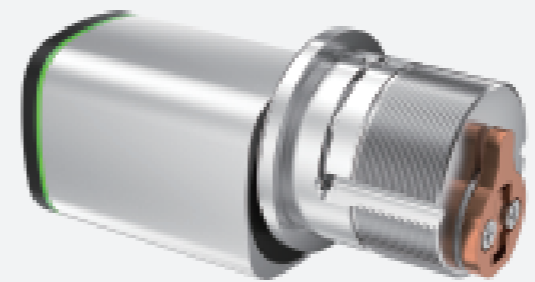
Scandinavian Oval Cylinder



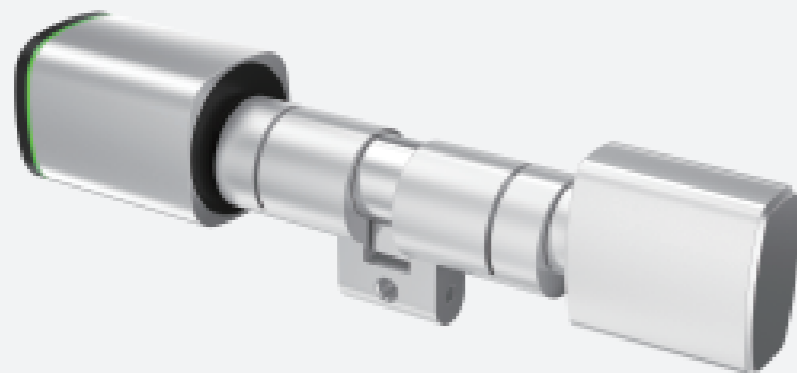
Australian Oval Cylinder



Rim Cylinder



Mortise Cylinder



Swiss Profile Cylinder

SMART CYLINDER PROTECTOR

- No App required.
- No Battery on the protector.
- Simply add/delete the smart key.
- OEM and ODM service available.



Stainless Steel



Antique Brass



Black



Golden



EPI Protector



Key Encoder



Encrypted Key



Anti-Drilling



Anti-Bump



Anti-Pick



Anti-Topolino



Anti-Break



Anti-Corrosion



Cylinder is protected by EPI



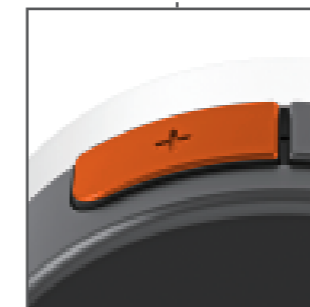
It can be easily turned after the encrypted key is activated



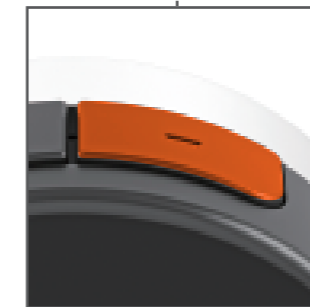
Expose the keyhole



Key Encoder



- Add Key by Pressing the "+" Button
- Maximum 20 Keys



- Delete Key by Pressing the "-" Button
- Press the "-" Button for 5 Seconds to Clear All the Keys



Type-C charging

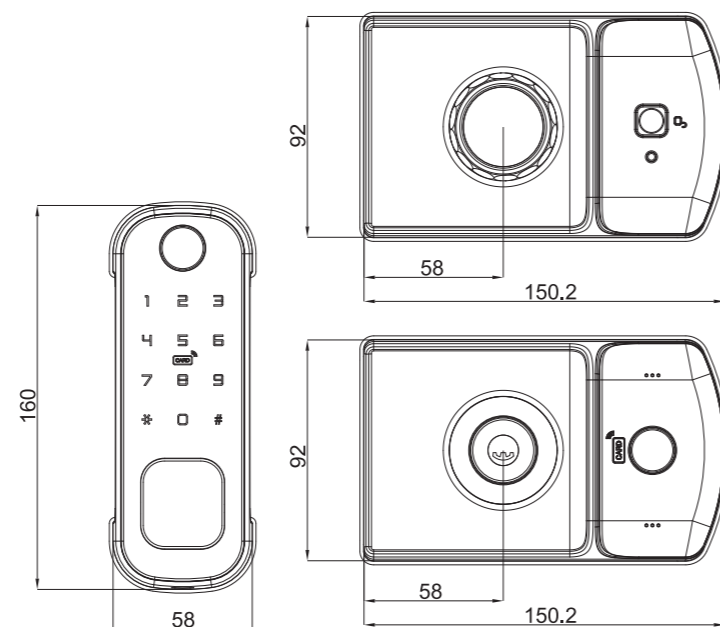


SMART RIM LOCK

- Options for Inside Devices: (R1-S) Button with Thumbturn OR (R1-D) Cylinder (Key) with Fingerprint and Card.
- Automatically Lock (Closing).
- Alarm Function Optional.
- TUYA/TTLOCK apps remote unlock (through Gateway), BLE distance unlock, Passwords unlock, Fingerprint unlock, RFID card/ NFC unlock, Mechanical key unlock.
- Card type: MIFARE Classic® S50 card, 13.56Mhz. ISO14443A.
- CE, FCC, RoHS, IP55 certified.
- IP55 Waterproof. Working temperature: -25 degree to 70 degree.
- 4 pcs of Number 5 (AA) battery and 1-year battery life.
- OEM and ODM service available, including offering APP SDK file and API.



Black



TTLock



TUYA



WiFi Gateway

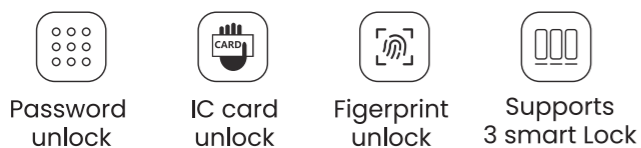
KP1

KEYPAD

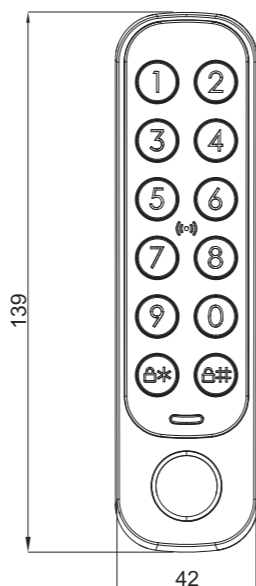


TTLock

- Bluetooth Standard: Bluetooth 5.4 BLE
- Supporting systems: Android 4.3/iOS 7.0 or above
- Power supply: 4 AAA
- Stand-by current: $\approx 20 \mu A$
- Working voltage: 6V
- Working temperature: $-20 \sim 50^{\circ}C$
- Maximum number of supporting fingerprints: 100
- Maximum number of supporting bonding locks: 3



Black



G2/G5

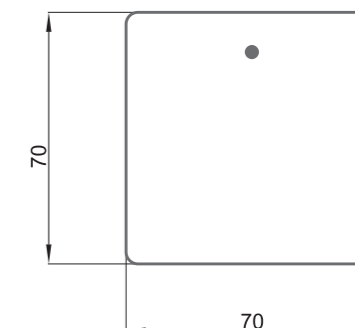
WI-FI GATEWAYS



TTLock

- Network: G2-Wifi 2.4 GHz
G5-Wifi 5 GHz
- IEEE Standard: 802.11 b/g/n
- Power Interface: USB-C
- Power Input: DC 5V/500mA
- Dimensions: 70 X 70 X 26 mm

White



DS2

DOOR SENSORS

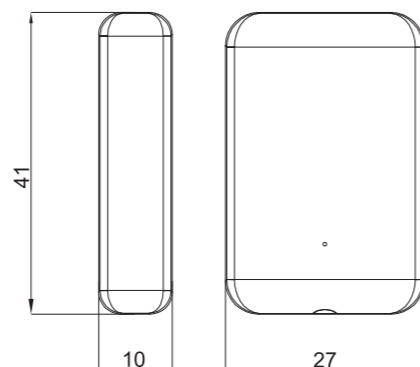


TTLock



- Material: ABS plastic
- Frequency: 2.4GHz
- Battery model: CR2032
- Voltage: 3V
- Battery life: 2 years (10 times a day)
- Stand-by current: <math><5\mu\text{A}</math>
- Induction range: <math><22\text{mm}</math>


White



 ELEKSEC

STAY TUNED FOR MORE NEW PRODUCTS



Company: Zhongshan City EOS Secure Products Co., Ltd.
Email: winny@eos-secure.com
Mobile: +86 13420436003
Add: No.29 Ronghua South Road, Xiaolan Town,
Zhongshan City 528415, Guangdong, China